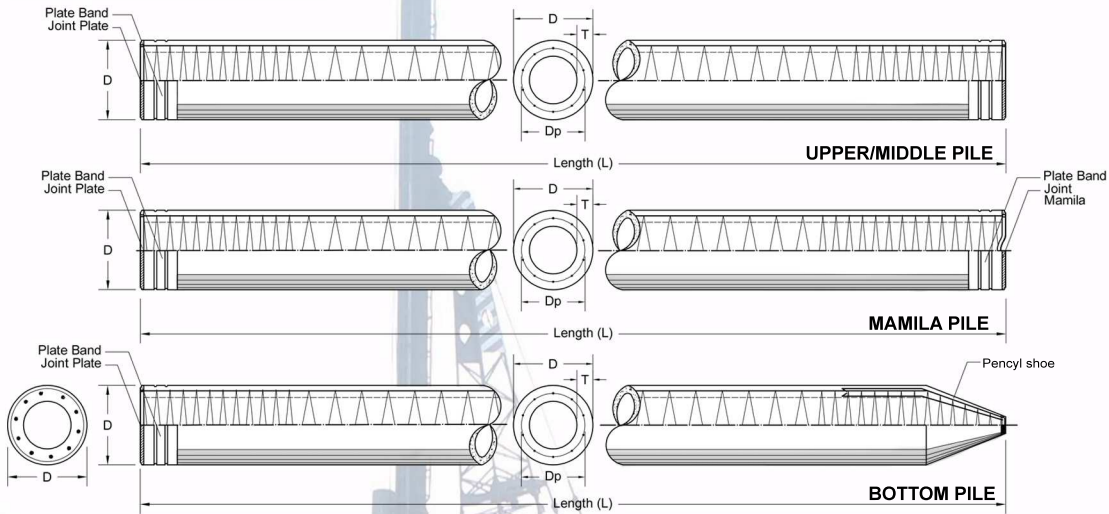


PRESTRESSED CONCRETE SPUN PILE [PC-PILE]

Shape and Dimension



Description

Type of pile	: Prestressed Concrete Spun Pile
Splice system	: Welded at steel plate
Type of shoe	: Pencil (Standard Product) Mamila (Special Order) Flat (Special Order)
Method of Driving	: Diesel Hammer, Hydraulic Hammer, HSPD (Hydraulic Static Pile Driver)

Design and Manufacturing References

Design	JIS A 5335 - 1987 ACI 543R - 00 SNI 03-2847-2002	Prestressed Concrete Spun Pile Design, Manufactured and Installation of Concrete Pile Indonesian Concrete Code
--------	--	---

Specification of Material

Item	Reference	Description	Specification
Concrete	SNI 03-2847-2002	Indonesian Concrete Code	Compressive strength at : 28 days : K-600 Kg/cm ²
Cement	SNI 15-2049-2004	Portland Cement	Standard product : Type I Special order : Type II or V
Aggregate	ASTM C33-1999	Standard Specification Concrete Aggregates	
Admixture	ASTM C94-1985	Standard Specification for Chemical Admixture for Concrete	Type F : Water reducing admixtures
PC Bar	JIS G 3137 - 1994	Small Size Deformed Steel Bars for Prestressed Concrete	Grade D, Class 1 - SBPD 1275/1420
PC Wire	JIS G 3536 - 1999	Uncoated stress-relieved steel wire and strand Prestressed Concrete	SWPD 1 (Deformed Wire Type)
Spiral Wire	JIS G 3532 - 2000	Low Carbon Steel Wire	SWMA / SWMP
Joint Plate	JIS G 3101 - 2004	Rolled Steel for General Structure	SS - 400 (Tensile Strength 400 N/mm ²)
Welding	ANSI / AWS D1.1 - 1990	Structural Welding Code-steel	AWS AS.1 / E6013 NIKKO STEEL RB 26 / RD 260, LION 26, or equivalent

SPECIFICATION OF PC SPUN PILE

Outside Diameter (mm)	Thickness (mm)	Type	Cross Section Area (cm ²)	Length (L) (m)	Bearing Capacity (ton)	Cracking Bending Moment (t.m)	Ultimate Bending Moment (t.m)
250	55	A	336,8	6 - 9	50	1,50	2,25
300	60	A	452,4	6 - 13	72	2,50	3,75
		AB			70	3,00	4,50
		B			67	3,50	6,30
		C			65	4,00	8,00
350	65	A	582,0	6 - 15	93	3,50	5,25
		AB			89	4,00	6,00
		B			86	5,00	9,00
		C			85	6,00	12,00
400	75	A	765,8	6 - 15	121	5,50	8,25
		AB			117	6,50	9,75
		B			114	7,50	13,50
		C			111	9,00	18,00
450	80	A	929,9	6 - 15	149	7,50	11,25
		AB			143	10,00	15,00
		B			139	11,00	19,80
		C			134	12,50	25,00
500	90	A	1.159,2	6 - 15	185	10,50	15,75
		AB			181	12,50	18,75
		B			174	15,00	27,00
		C			169	17,00	34,00
600	100	A	1.570,8	6 - 15	252	17,00	25,50
		AB			243	20,00	30,00
		B			238	25,00	45,00
		C			229	29,00	58,00

HEAD OFFICE

Jalan Padang By Pass Nagari Kasang,
 Kec. Batang Anai, Padang Pariaman,
 Sumatera Barat-25586

Telp : 0751-480032 / 483417 / 483527

Fax : 0751-480033

MARKETING OFFICE

Jalan Perintis Kemerdekaan Komp. Grand Jati Junction
 Blok T No.9 , Medan,
 Sumatera Utara-20218

Telp : 061-80513565 / 80513327

Fax : 061-80514538