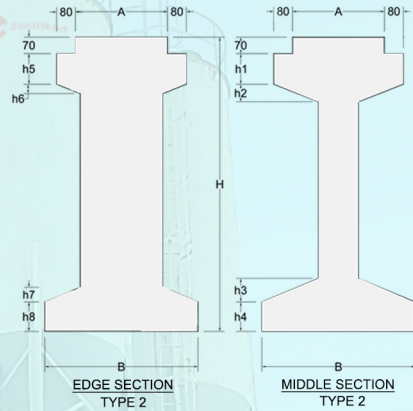
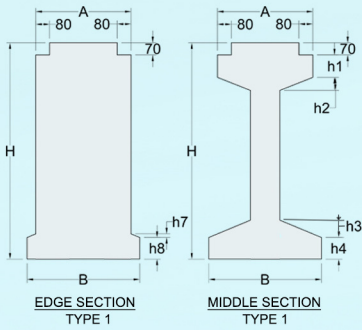


# PRESTRESSED CONCRETE I GIRDER [PC-I GIRDER]

## Shape and Dimension



## Description

Type of Girder : PC I Girder  
 Prestressing System : Post Tension , Pretension  
 Production System : Segmental , Non Segmental

## Design & Manufacturing Reference

SNI 03-1725-1989 Recommendation for Design Loading Highway Bridge  
 BMS 7 - 1992 Bridge Design Code  
 AASHTO - 2002 Standard Specification for Highway Bridges  
 ACI 318 - 2011 Building Code Requirements for Structural Concrete  
 SNI 03-2847-2002 Indonesian Concrete Code

Notation	Unit	H(cm)				
		Type 1		Type 2		
		90	125	160	170	210
A	mm	550	550	700	800	800
B	mm	650	650	650	700	700
h1	mm	130	130	130	130	130
h2	mm	75	75	75	120	120
h3	mm	100	100	100	250	250
h4	mm	125	125	225	250	250
h5	mm	-	-	130	130	130
h6	mm	-	-	22	40	40
h7	mm	21	22	21	50	50
h8	mm	125	125	225	250	250

